

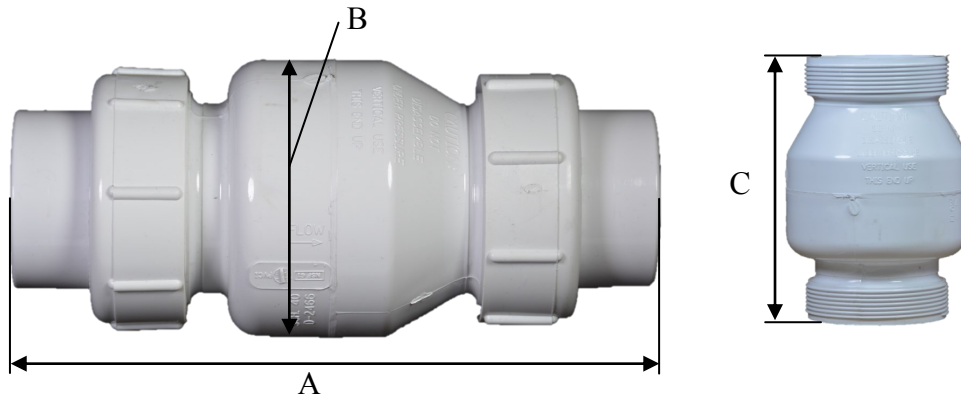
WHITE PVC TRUE UNION SWING CHECK VALVE

RATED @125 PSI STATIC PRESSURE @ 72°F
MOLDED IN THE USA
MADE OF PVC TYPE I MATERIAL
EPDM FLAPPER

NSF-ANSI 61 + 372

IPS SLIP X IPS SLIP CONNECTION

IPS—IRON PIPE SIZE
(SAME AS SCH. 40 PIPE)



PART NUMBER	A (INCHES)	B (INCHES)	C (INCHES)	WEIGHT (LBS)	IPS CONNECTION
1720-07	5.48	1.94	3.40	0.45	3/4" IPS
1720-10	6.78	2.35	4.43	0.70	1" IPS
1720-15	8.21	3.13	5.05	1.10	1 1/2" IPS
1720-20	9.69	4.24	6.14	1.80	2" IPS
1720-30	13.13	5.63	8.58	3.95	3" IPS

NOTE: LENGTH VARIES WITH TIGHTNESS OF END NUT