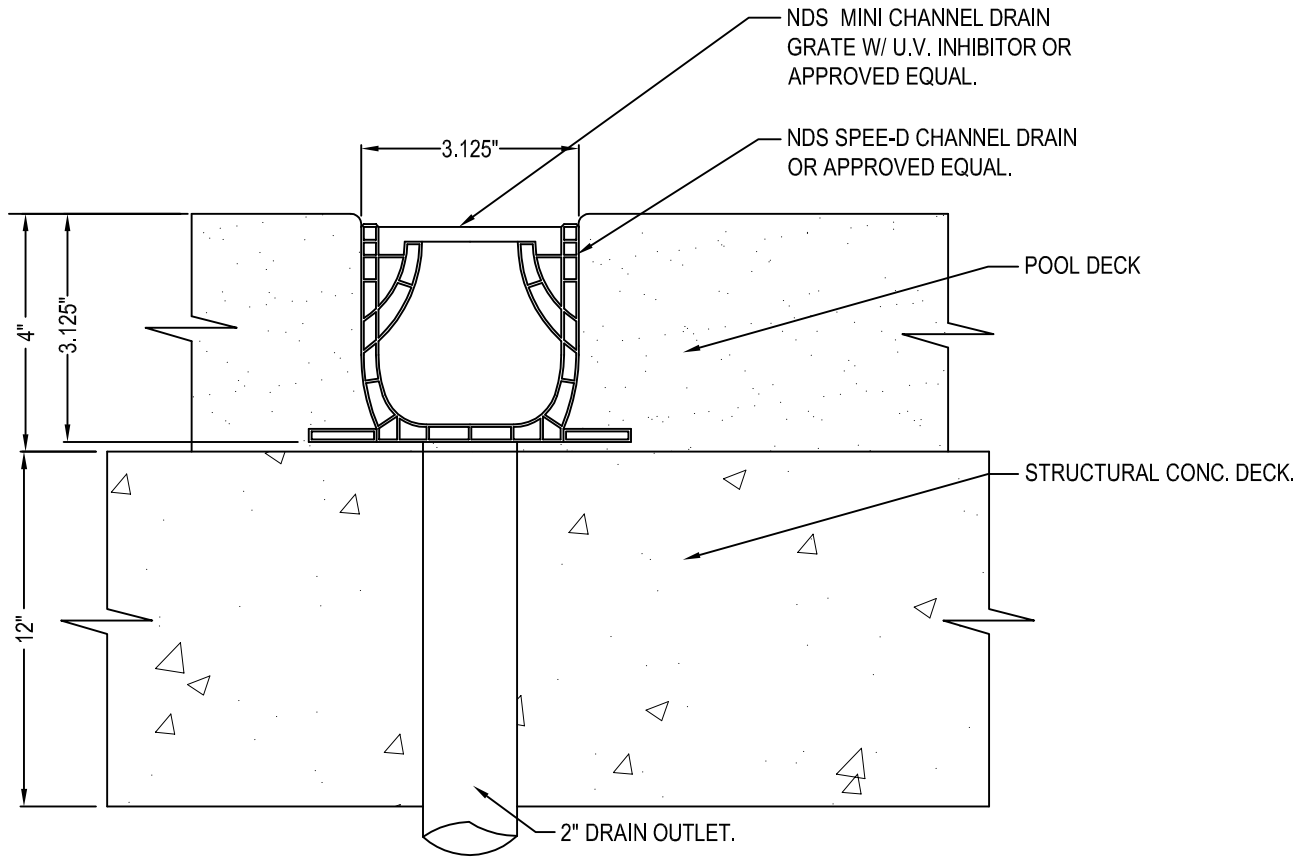


**NDS**<sup>®</sup>  
 We put water in its place

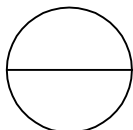
NDS, INC.  
 851 NORTH HARVARD AVE.  
 LINDSAY, CA 93247  
 TOLL FREE: 1-800-726-1994  
 PHONE: (559) 562-9888  
 FAX: (559) 562-4488  
 www.ndspro.com



SECTION

**NOTES:**

1. EXISTING SOILS SHOULD BE EVALUATED TO ENSURE PROPER STRUCTURAL AND PERMEABILITY PROPERTIES.
2. INSTALLATION TO BE COMPLETED IN ACCORDANCE WITH MANUFACTURER'S SPECIFICATIONS.
3. DO NOT SCALE DRAWING.
4. THIS DRAWING IS INTENDED FOR USE BY ARCHITECTS, ENGINEERS, CONTRACTORS, CONSULTANTS AND DESIGN PROFESSIONALS FOR PLANNING PURPOSES ONLY.
5. ALL INFORMATION CONTAINED HEREIN WAS CURRENT AT THE TIME OF DEVELOPMENT BUT MUST BE REVIEWED AND APPROVED



**MINI CHANNEL DRAIN SYSTEM**

MINI CHANNEL POOL DECK

