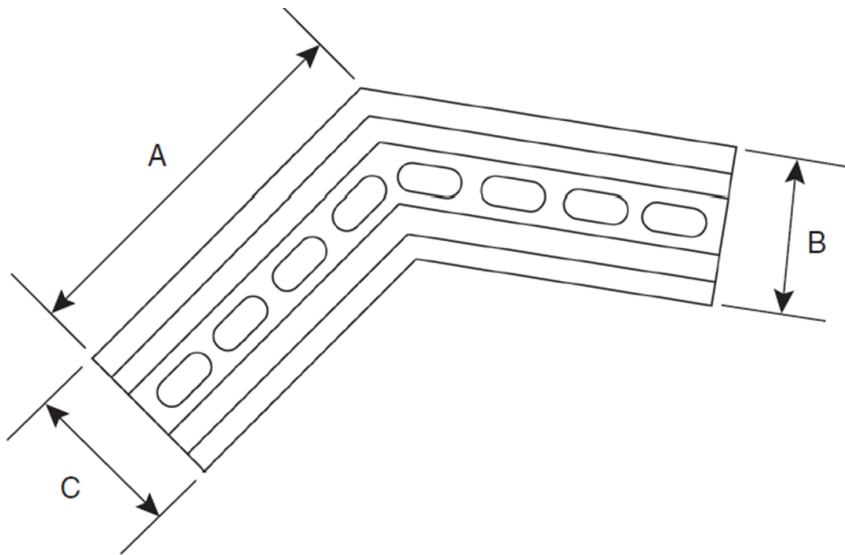


Micro Channel 45° Elbow



Dimension Key

- A: Length of channel before bend
- B: Outer width of top channel
- C: Width of the bottom of the channel

Part Number	A	B	C
8301	3"	1.25	1 1/4
8302	3"	1.25	1 1/4
8303	3"	1.25	1 1/4

Load Recommendation Guide



Class A

- Loads of 1-60 psi.
- Recommended for pedestrians, bicycles and wheel chair traffic.

Part #: 8001, 8002, and 8003

Material: PVC

Recessed reinforced grate with slots.

Color: #8001 (White), #8008 (Sand), #8003 (Gray)

Fits: 1-1/2" Sch. 40 Spigot End Outlet, requires end, side, or bottom outlet.

Grate Opening: 3/16" x 5/8"

Open Surface Area: 1 Sq. Inches per foot

Head Pressure / Flow Rate:

Head (inches) - Max Flow

1" = 4.30 GPM

0.5" = 3.06 GPM

UV Inhibitors

Weight Per Each: 0.30 lbs.

ADA Compliant/Heel-proof

ADA Compliance

NDS provides a wide selection of grates that are compliant with the Americans with Disabilities Act. The ADA Accessibility Guidelines For Buildings and Facilities Section 4.5.4 specifies that ground and floor grates "shall have spaces no greater than 1/2 in (13 mm) wide in one direction."

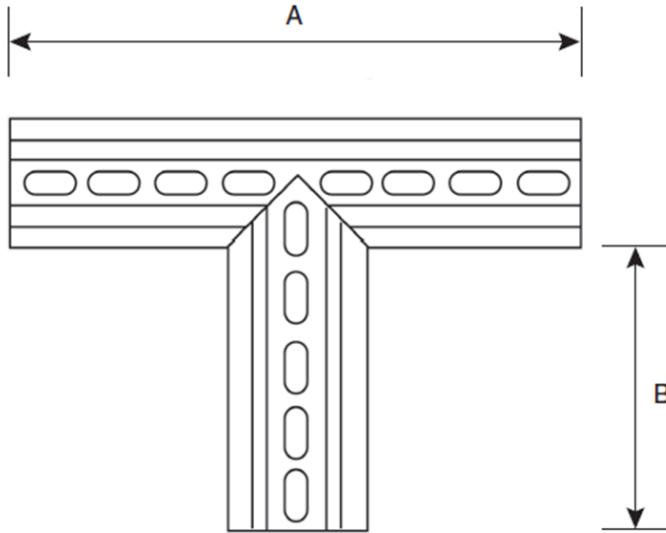
We are pleased to provide grates that comply with these requirements, so that no individual need be limited from accessing the area safely and confidently.

To see if a grate is ADA compliant, please check the description of the product in our [NDS Drainage Catalog](#): products that meet these requirements are marked "ADA compliant."

Like to find out more about ADA compliance and NDS? Send us your question and we'd be happy to help.



Micro Channel Tee



Dimension Key

- A: Width of channel at top of "T"
- B: Height of channel prior to top of "T"
- C: Weight

*note: Please see catalog

Part Number	A	B	C
8371	3"	2"	0.4
8372	3"	2"	0.4
8373	3"	2"	0.4

Part #: 8371, 8372, 8373

Material: PVC

Recessed reinforced grate with slots.

Color: #8371 (White), #8372 (Sand), #8373 (Gray)

Fits: Micro Channel.

Grate Opening: 3/16" x 5/8"

Open Surface Area: 1 Sq. Inches per foot

Head Pressure / Flow Rate:

Head (inches) - Max Flow

1" = 4.30 GPM

0.5" = 3.06 GPM

UV Inhibitors

Weight Per Each: 0.40 lbs.

Load Recommendation Guide



Class A

- Loads of 1-60 psi.
- Recommended for pedestrians, bicycles and wheel chair traffic.

ADA Compliant/Heel-proof

ADA Compliance

NDS provides a wide selection of grates that are compliant with the Americans with Disabilities Act. The ADA Accessibility Guidelines For Buildings and Facilities Section 4.5.4 specifies that ground and floor grates "shall have spaces no greater than 1/2 in (13 mm) wide in one direction."

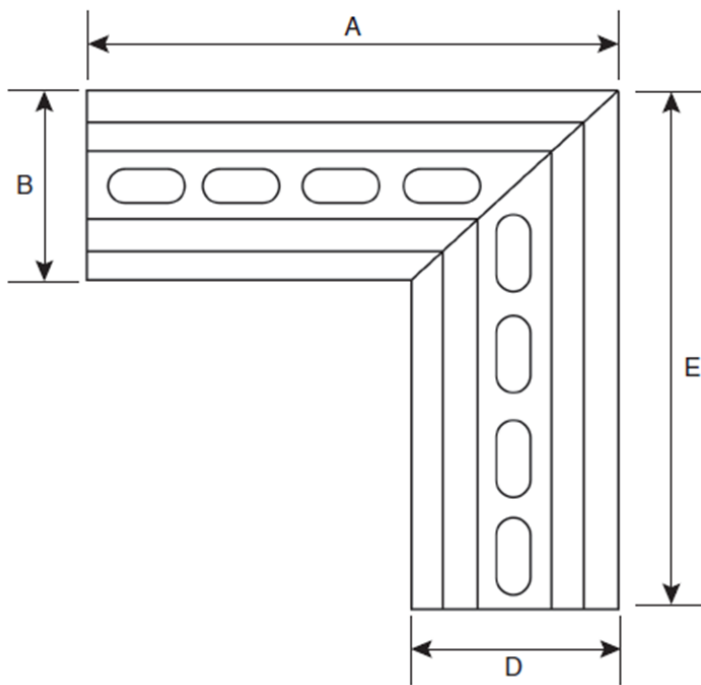
We are pleased to provide grates that comply with these requirements, so that no individual need be limited from accessing the area safely and confidently.

To see if a grate is ADA compliant, please check the description of the product in our NDS Drainage Catalog: products that meet these requirements are marked "ADA compliant."

Like to find out more about ADA compliance and NDS? Send us your question and we'd be happy to help.



Micro Channel 90° Elbow



Dimension Key

- A: Length of channel before bend
- B: Outer width of top channel
- C: Inside width of top channel
- D: Width of the bottom of the channel
- E: Height of channel
- F: Weight

Part Number	A	B	C	D	E	F
8381	3"	1.25	N/A	1 1/4	3 1/4	0.4
8382	3"	1.25	N/A	1 1/4	3 1/4	0.4
8383	3"	1.25	N/A	1 1/4	3 1/4	.4

Load Recommendation Guide



Class A

- Loads of 1-60 psi.
- Recommended for pedestrians, bicycles and wheel chair traffic.

Part #: 8381, 8382, 8383

Material: PVC

Recessed reinforced grate with slots.

Color: #8381 (White), #8382 (Sand), #8383 (Gray)

Fits: Micro Channel.

Grate Opening: 3/16" x 5/8"

Open Surface Area: 1 Sq. Inches per foot

Head Pressure / Flow Rate:

Head (inches) - Max Flow

1" = 4.30 GPM

0.5" = 3.06 GPM

UV Inhibitors

Weight Per Each: 0.40 lbs.

ADA Compliance

NDS provides a wide selection of grates that are compliant with the Americans with Disabilities Act. The ADA Accessibility Guidelines For Buildings and Facilities Section 4.5.4 specifies that ground and floor grates "shall have spaces no greater than 1/2 in (13 mm) wide in one direction."

We are pleased to provide grates that comply with these requirements, so that no individual need be limited from accessing the area safely and confidently.

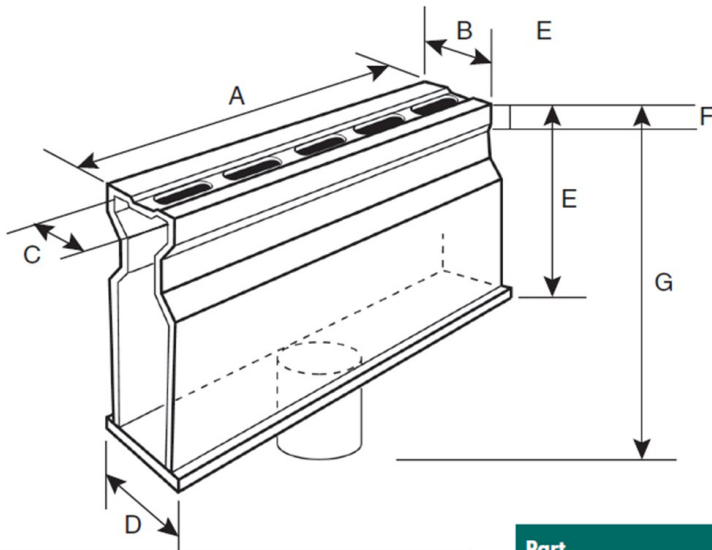
To see if a grate is ADA compliant, please check the description of the product in our NDS Drainage Catalog: products that meet these requirements are marked "ADA compliant."

Like to find out more about ADA compliance and NDS? Send us your question and we'd be happy to help.

ADA Compliant/Heel-proof



Micro Channel 1-1/2" Sch. 40 Spigot Bottom Outlet



Dimension Key

- A: Length of channel
- B: Outer width of top channel
- C: Inside width of top channel
- D: Width of the bottom of the channel
- E: Height of channel
- F: Height of grate lip
- G: Height including outlet
- H: Weight

Part Number	A	B	C	D	E	F	G	H
8501	6"	1.25	N/A	1 1/4	3 1/4	N/A	4 1/4	0.35
8502	6"	1.25	N/A	1 1/4	3 1/4	N/A	4 1/4	0.35
8503	6"	1.25	N/A	1 1/4	3 1/4	N/A	4 1/4	0.35

Load Recommendation Guide



Class A

- Loads of 1-60 psi.
- Recommended for pedestrians, bicycles and wheel chair traffic.

ADA Compliant/Heel-proof

ADA Compliance

NDS provides a wide selection of grates that are compliant with the Americans with Disabilities Act. The ADA Accessibility Guidelines For Buildings and Facilities Section 4.5.4 specifies that ground and floor grates "shall have spaces no greater than 1/2 in (13 mm) wide in one direction."

We are pleased to provide grates that comply with these requirements, so that no individual need be limited from accessing the area safely and confidently.

To see if a grate is ADA compliant, please check the description of the product in our NDS Drainage Catalog: products that meet these requirements are marked "ADA compliant."

Like to find out more about ADA compliance and NDS? Send us your question and we'd be happy to help.



Part #: 8501,8502,8503

Material: PVC

Recessed reinforced grate with slots.

Color: #8501 (White), #8502 (Sand), #8503 (Gray)

Fits: Micro Channel

Outlet: 1-1/2" Sch. 40 Spigot End Outlet.

Grate Opening: 3/16" x 5/8"

Open Surface Area: 1 Sq. Inches per foot

Head Pressure / Flow Rate:

Head (inches) - Max Flow

1" = 4.30 GPM

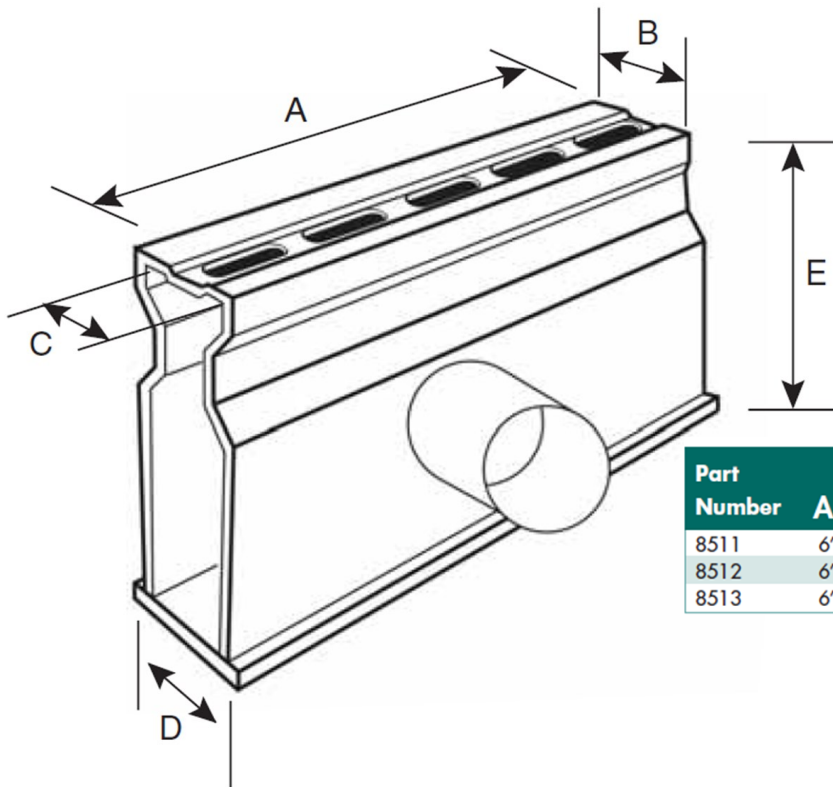
0.5" = 3.06 GPM

UV Inhibitors

Weight Per Each: 0.35 lbs.



Micro Channel 1-1/2" Sch. 40 Spigot Side Outlet



Dimension Key

- A: Length of channel
- B: Outer width of top channel
- C: Inside width of top channel
- D: Width of the bottom of the channel
- E: Height of channel
- F: Weight

Part Number	A	B	C	D	E	F
8511	6"	1.25	N/A	1 1/4	3 1/4	.35
8512	6"	1.25	N/A	1 1/4	3 1/4	.35
8513	6"	1.25	N/A	1 1/4	3 1/4	.35

Part #: 8511,8512,813
 Material: PVC
 Recessed reinforced grate with slots.
 Color: #8511 (White), #8512 (Sand), #8513 (Gray)
 Fits: Micro Channel
 Outlet: 1-1/2" Sch. 40 Spigot End Outlet.
 Grate Opening: 3/16" x 5/8"
 Open Surface Area: 1 Sq. Inches per foot
 Head Pressure / Flow Rate:
Head (inches) - Max Flow
 1" = 4.30 GPM
 0.54" = 3.06 GPM
 UV Inhibitors
 Weight Per Each: 0.35 lbs.

Load Recommendation Guide



Class A

- Loads of 1-60 psi.
- Recommended for pedestrians, bicycles and wheel chair traffic.

ADA Compliant/Heel-proof

ADA Compliance

NDS provides a wide selection of grates that are compliant with the Americans with Disabilities Act. The ADA Accessibility Guidelines For Buildings and Facilities Section 4.5.4 specifies that ground and floor grates "shall have spaces no greater than 1/2 in (13 mm) wide in one direction."

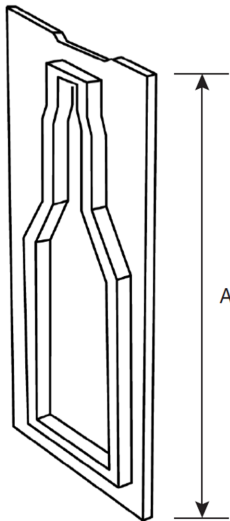
We are pleased to provide grates that comply with these requirements, so that no individual need be limited from accessing the area safely and confidently.

To see if a grate is ADA compliant, please check the description of the product in our NDS Drainage Catalog: products that meet these requirements are marked "ADA compliant."

Like to find out more about ADA compliance and NDS? Send us your question and we'd be happy to help.



Micro Channel Accessories

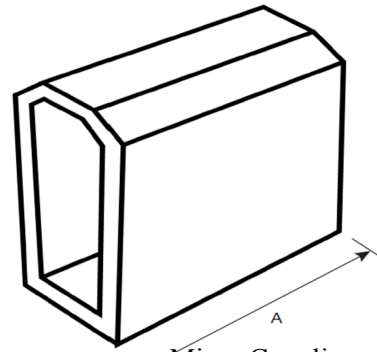


Dimension Key		
A:	Height	
B:	Weight	

Part Number	A	B
8471	3 1/4	0.05
8472	3 1/4	0.05
8473	3 1/4	0.05

Micro End Plug

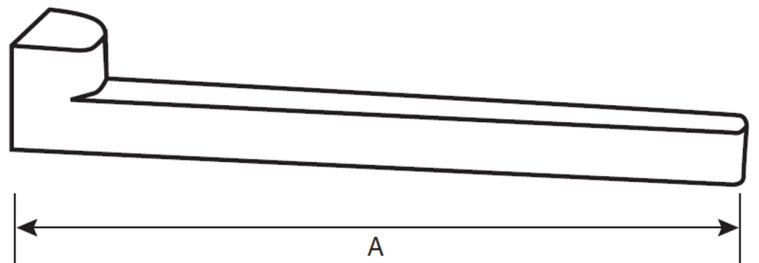
Part #: 8471 (White), 8472 (Sand), 8473 (Gray)
Weight Per Each: 0.05 lbs



Dimension Key		
A:	Length of coupling	
B:	Weight	

Part Number	A	B
8481	4"	.1

Micro Coupling
Part# 8481
Weight Per Each: 0.10 lbs

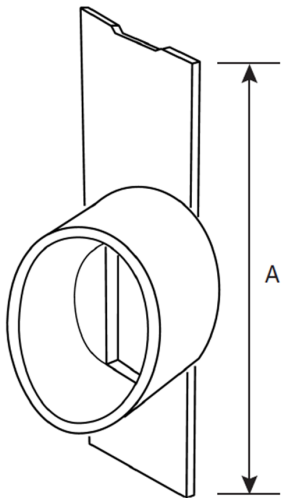


Part Number	A	B
230	6"	.4

Dimension Key		
A:	Length of stake	
B:	Weight	

6" Channel Installation Stake

Part #: 230 (Gray)
Weight Per Each: 0.04 lbs



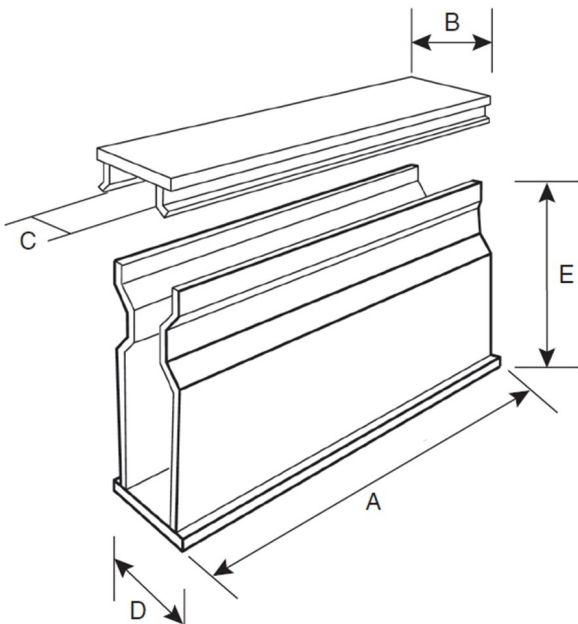
Dimension Key			
A:	Height		
B:	Center of Flow		
C:	Weight		

Part Number	A	B	C
8461	3 1/4	1.25	0.1
8462	3 1/4	1.25	0.1
8463	3 1/4	1.25	0.1

Micro 1-1/2" Sch.40 Spigot End Outlet

Part #: 8461 (White), 8462 (Sand), 8463 (Gray)
Weight Per Each: 0.10 lbs.

Micro Channel Accessories



Dimension Key

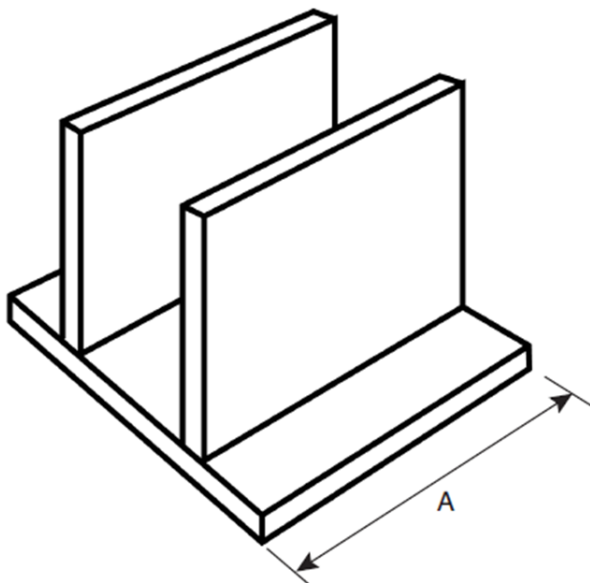
- A Length of channel
- B Outer width of top channel
- C Inside width of top channel
- D Width of the bottom of the channel
- E Height of channel
- F Weight

Part Number	A	B	C	D	E	F
8651	3"	1.25	N/A	1 1/4	3 1/4	.3
8652	3"	1.25	N/A	1 1/4	3 1/4	.3
8653	3"	1.25	N/A	1 1/4	3 1/4	.3

Micro Channel Clean Out

Part# 8651 (White), #8652 (Sand), #8653 (Gray)

Weight Per Each: 0.30 lbs



Micro Hold Down Clip

Part# 8601

Weight Per Each: 0.10 lbs

Dimension Key

- A: Length of hold down clip
- B: Weight

Part Number	A	B
8601	4"	.1