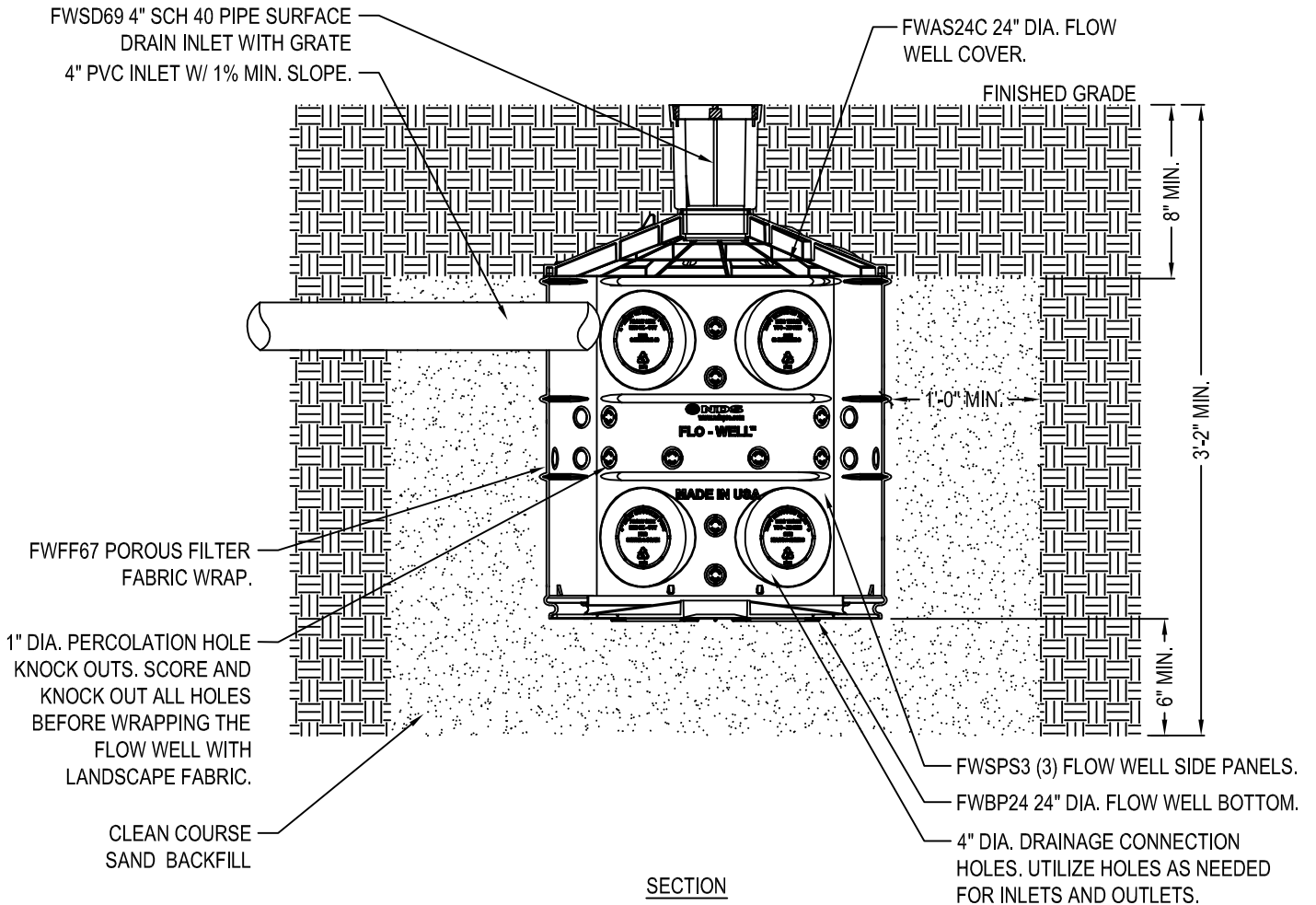


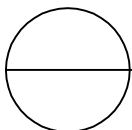


NDS, INC.
 851 NORTH HARVARD AVE.
 LINDSAY, CA 93247
 TOLL FREE: 1-800-726-1994
 PHONE: (559) 562-9888
 FAX: (559) 562-4488
 www.ndspro.com



NOTES:

1. MUST BE INSTALLED 10' AWAY FROM STRUCTURE OR FOUNDATION.
2. FWAS24 KIT **DOES NOT** COME WITH FWBP24 BTM.
3. REFERENCE FLO-WELL CALCULATOR ON NDSPRO.COM
4. INSTALLATION TO BE COMPLETED IN ACCORDANCE WITH MANUFACTURER'S SPECIFICATIONS.
5. DO NOT SCALE DRAWING.
6. THIS DRAWING IS INTENDED FOR USE BY ARCHITECTS, ENGINEERS, CONTRACTORS, CONSULTANTS AND DESIGN PROFESSIONALS FOR PLANNING PURPOSES ONLY.
7. ALL INFORMATION CONTAINED HEREIN WAS CURRENT AT THE TIME OF DEVELOPMENT BUT MUST BE REVIEWED AND APPROVED BY THE PRODUCT MANUFACTURER TO BE CONSIDERED ACCURATE.



FLO-WELL DRY WELL SYSTEM

FLO-WELL INSTALLATION DETAIL - LOAD CLASS "A" & "B" - SAND INSTALLATION DETAIL