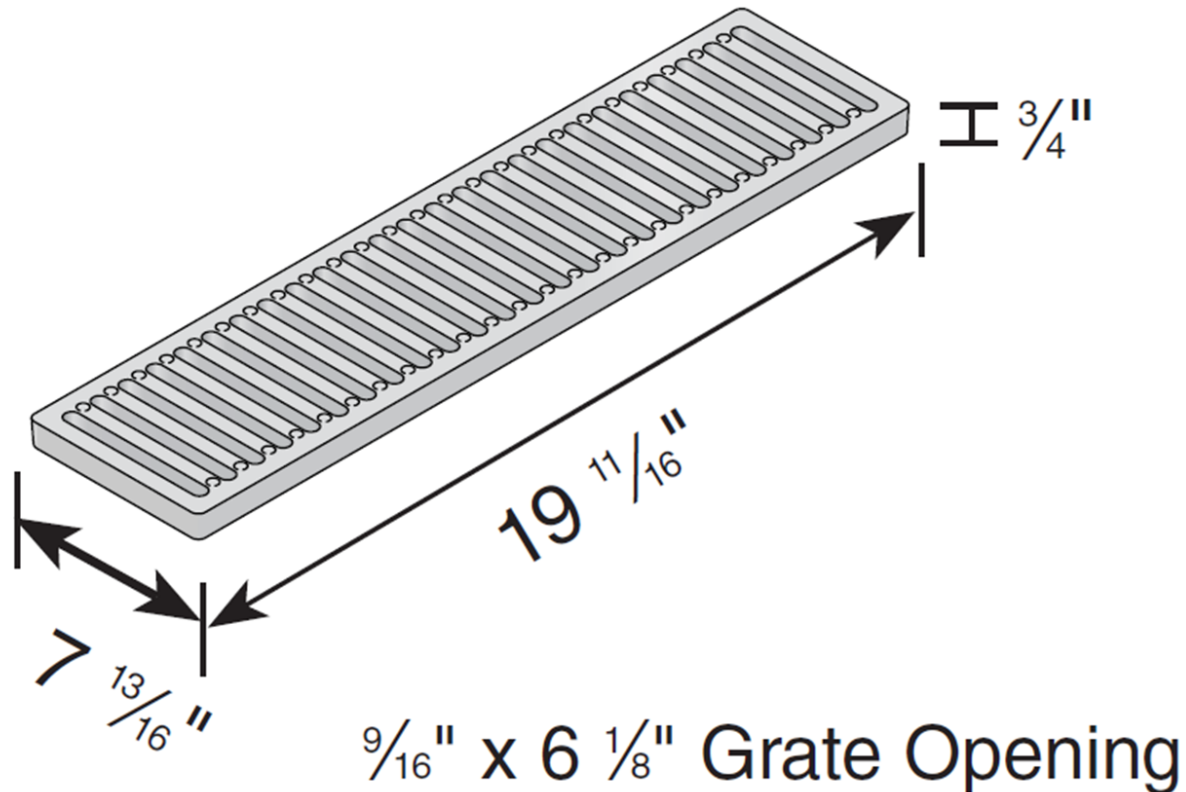


8" Pro Series Grate



Part #: 888

Material: Cast Iron

Color: Black/Cast Iron

Use for 8" Pro Series Channel

Grate Opening: $\frac{9}{16}$ " x $6 \frac{1}{8}$ "

Open Surface Area: 23.3 Sq. Inches Per Foot.

Head Pressure / Flow rate:

3" = 174.59 GPM per Foot.

1" = 100.8 GPM per Foot

0.5" = 71.28 GPM per Foot

Weight Per Each: 18.20 lbs.



Class C

- Loads of 176-325 psi.
- Recommended for heavy-duty pneumatic tire forklifts and tractor trailers at speeds less than 20 m.p.h., H-20 rated.

