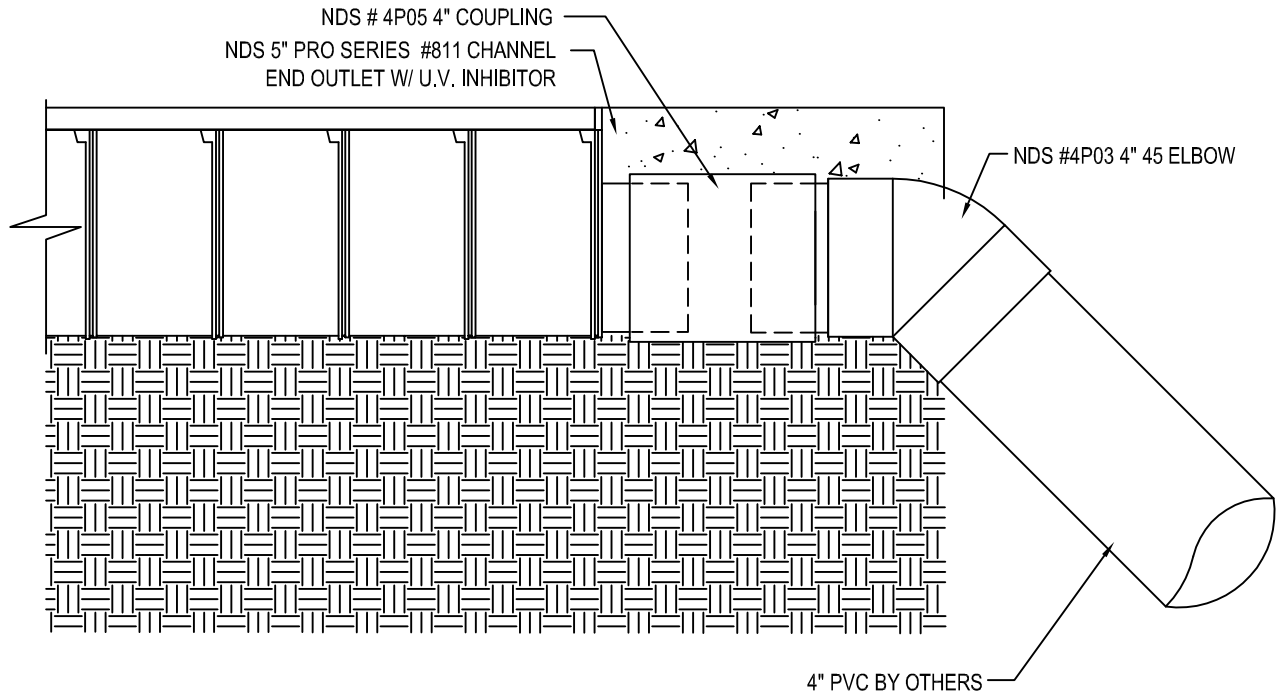




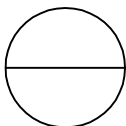
NDS, INC.  
851 NORTH HARVARD AVE.  
LINDSAY, CA 93247  
TOLL FREE: 1-800-726-1994  
PHONE: (559) 562-9888  
FAX: (559) 562-4488  
www.ndspro.com



SECTION

NOTES:

1. INSTALLATION TO BE COMPLETED IN ACCORDANCE WITH MANUFACTURER'S SPECIFICATIONS.
2. DO NOT SCALE DRAWING.
3. THIS DRAWING IS INTENDED FOR USE BY ARCHITECTS, ENGINEERS, CONTRACTORS, CONSULTANTS AND DESIGN PROFESSIONALS FOR PLANNING PURPOSES ONLY.
4. ALL INFORMATION CONTAINED HEREIN WAS CURRENT AT THE TIME OF DEVELOPMENT BUT MUST BE REVIEWED AND APPROVED BY THE PRODUCT MANUFACTURER TO BE CONSIDERED ACCURATE.



## PRO SERIES CHANNEL DRAIN SYSTEM

5" PRO SERIES PLUMBING DETAIL - 3' OR 4' PVC COUPLING - 4" END OUT 1