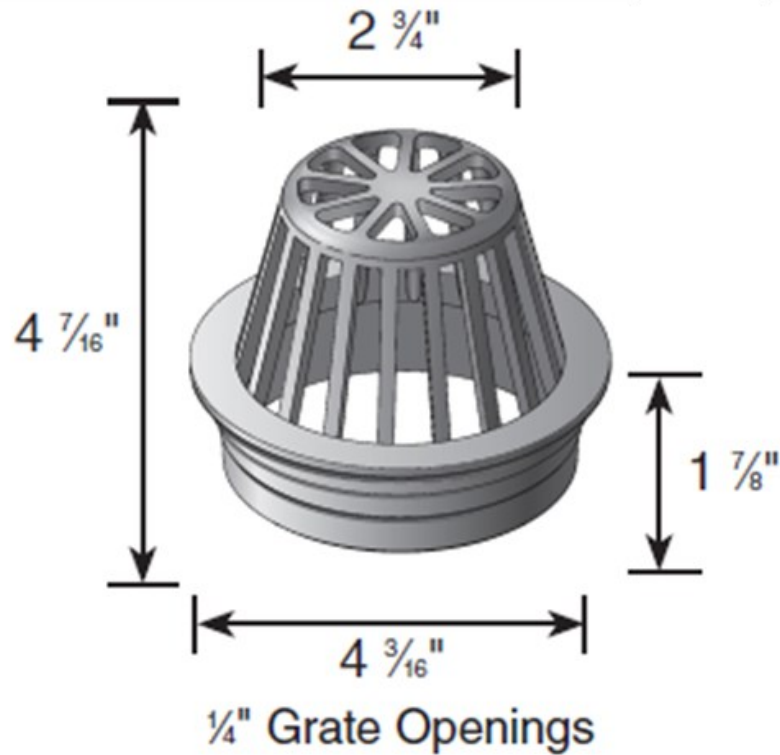


## 4" ATRIUM GRATE



WEIGHT per EACH:

.210 LBS

Material: HDPE

Colors: Green (75), Gray (76), Black (78), Sand (78S)

Fits: Use with 4" Sewer and Drain pipe and fittings, 4" Corrugated pipe and 4" Triple Wall pipe

Opening: 17 in <sup>2</sup> open space

Will accommodate 52.01 gallons per minute with 1/2" of head