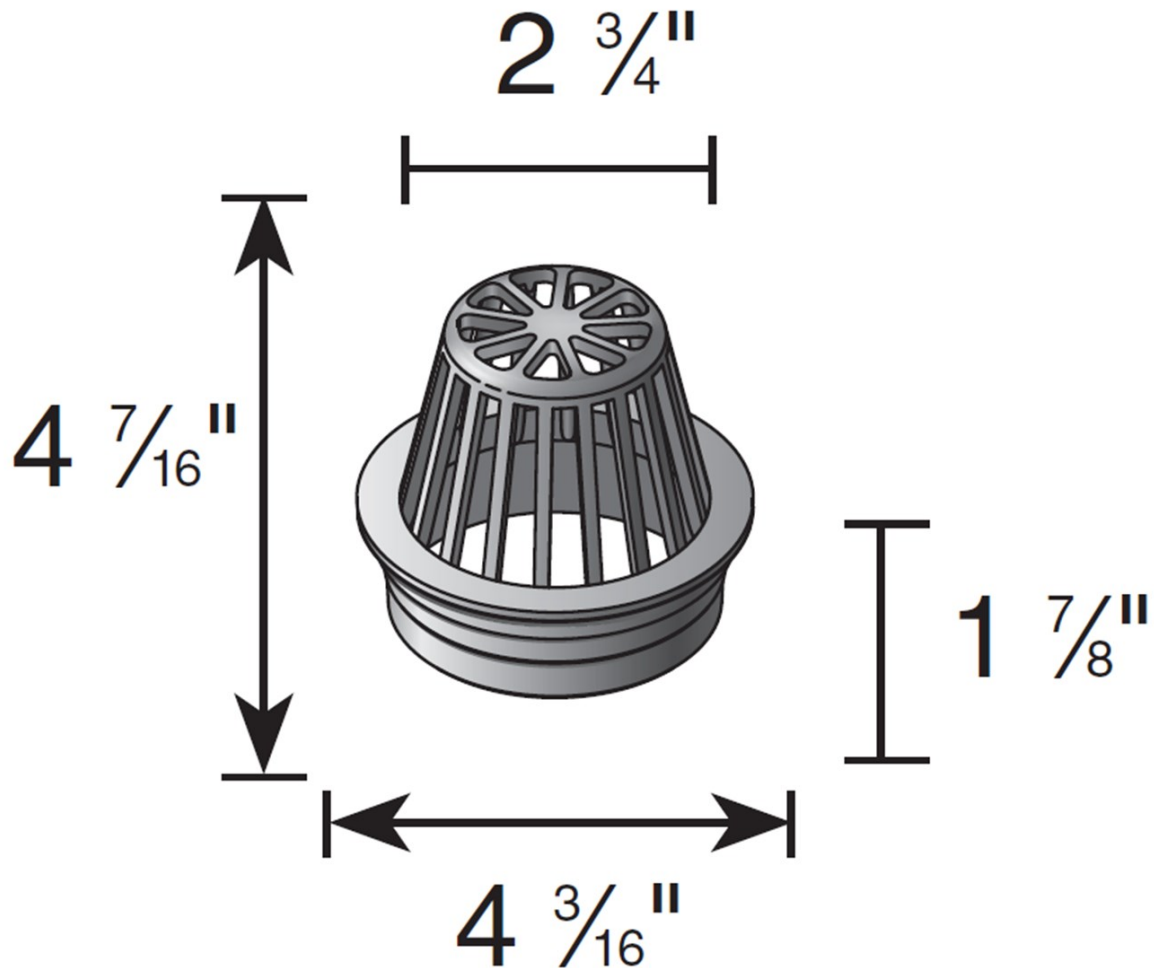


4" Atrium Brass Grate



Part #: 78B

Material: Brass

Color: Brass

Fits: 4" sewer, drain, pipe & fittings, 4" corrugated & triple wall pipe.

Grate Opening: $\frac{1}{4}$ "

Open Surface Area: 10.2 Sq. Inches

Head Pressure / Flow Rate:

Head (inches) - Max Flow

1.0" = 44.13 GPM

0.5" = 31.2 GPM

Weight Per Each: 2.0 lbs.