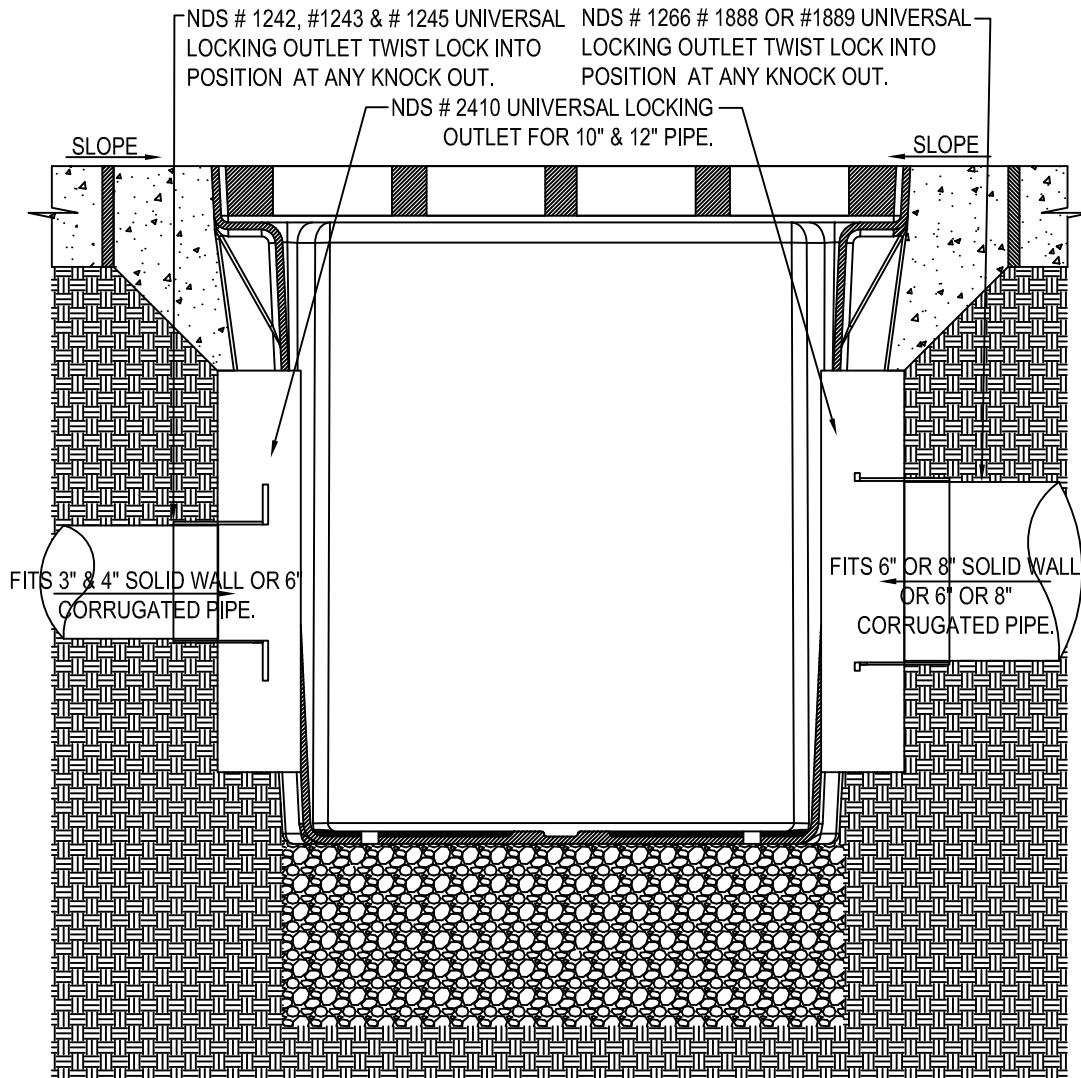


NDS[®]
We put water in its place

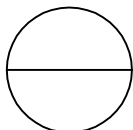
NDS, INC.
851 NORTH HARVARD AVE.
LINDSAY, CA 93247
TOLL FREE: 1-800-726-1994
PHONE: (559) 562-9888
FAX: (559) 562-4488
www.ndspro.com



SECTION

NOTES:

1. NDS ADAPTERS THAT FIT THIS BASIN ARE AS FOLLOWS. # 1242, # 1243, # 1245 # 1266 # 1888 & #1889 USE # 1206 IF PLUGGING AN OUTLET. 2410 NEEDED FOR ALL CONNECTIONS.
2. INSTALLATION TO BE COMPLETED IN ACCORDANCE WITH MANUFACTURER'S SPECIFICATIONS.
3. DO NOT SCALE DRAWING.
4. THIS DRAWING IS INTENDED FOR USE BY ARCHITECTS, ENGINEERS, CONTRACTORS, CONSULTANTS AND DESIGN PROFESSIONALS FOR PLANNING PURPOSES ONLY.
5. ALL INFORMATION CONTAINED HEREIN WAS CURRENT AT THE TIME OF DEVELOPMENT BUT MUST BE REVIEWED AND APPROVED BY THE PRODUCT MANUFACTURER TO BE CONSIDERED ACCURATE.



SQUARE CATCH BASIN

24" SQUARE CATCH BASIN PLUMBING CONNECTIONS

